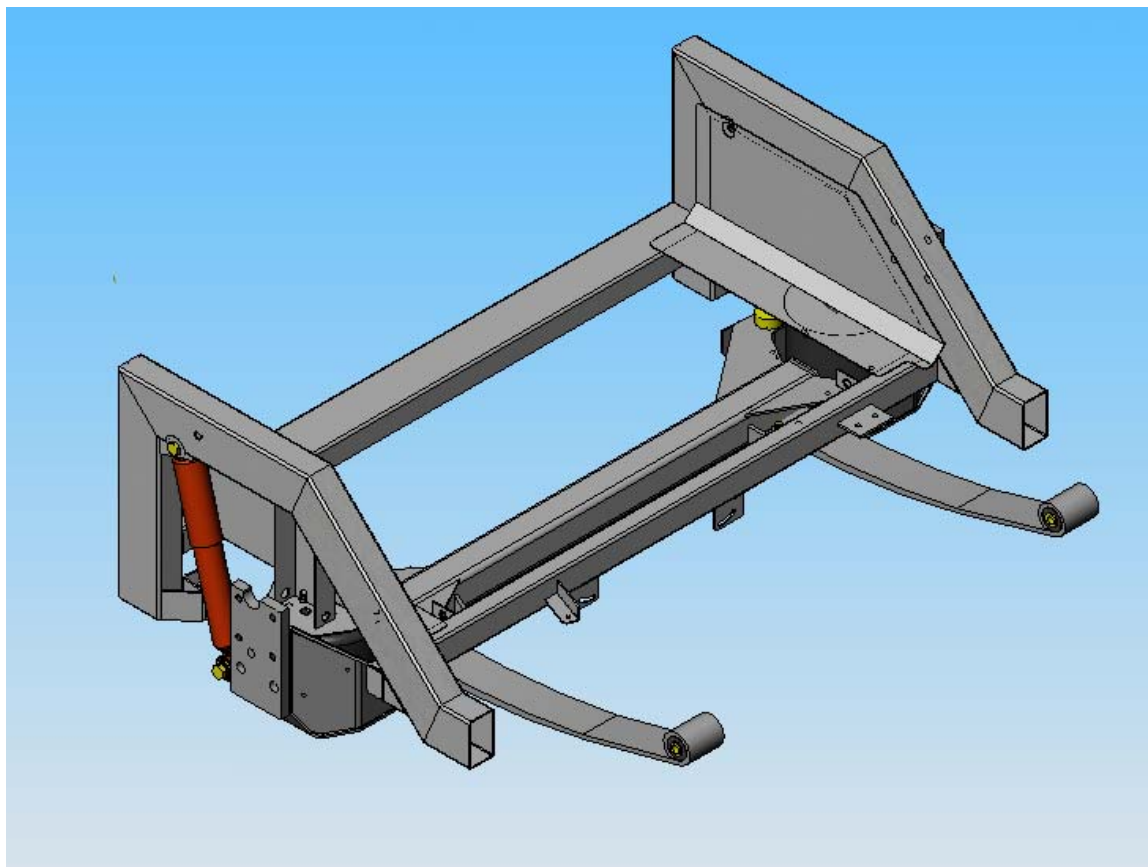


Axle Torso 2.650 Kg

For low floor solutions



Specifications

- Maximum load of 2.650 Kg.
- GVW of 4.500 Kg, when combined with a 3.5 ton Citroën Jumper, Fiat Ducato or Peugeot Boxer.
- Driving height of the floor is 32 cm.
- The measurements between the torso is 1320 mm.
- The axle torso has single tyres (225/75R 16c) with 6J rims, air suspension with 2 bellows and uses the original brake elements.
- The brakes are approved according to EC directive 71/320/EC.
- Delivery as a kit, combined with a low floor chassis or mounted to the vehicle.