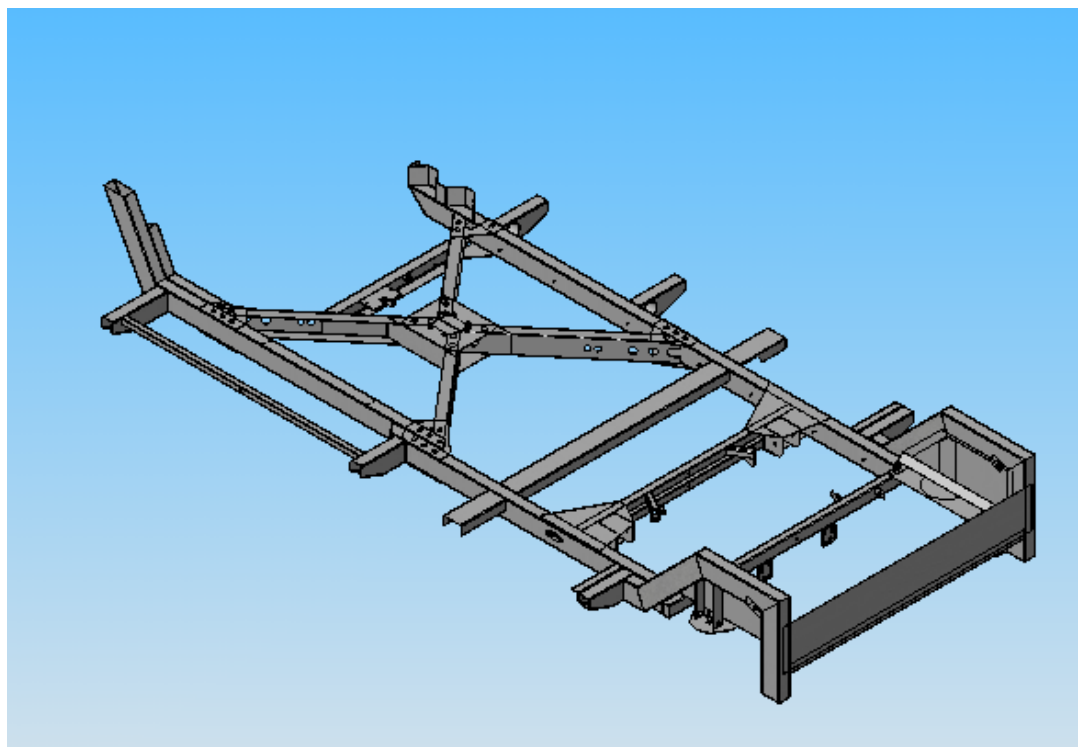


# Low Floor Chassis 4.500 Kg



## Specifications

- Maximum load is 4.500 Kg, when combined with a 3.5 ton Citroën Jumper, Fiat Ducato or Peugeot Boxer.
- Driving height of the floor is 32 cm. Low floor chassis.
- The low floor can begin at the A-pillar for a entry at the same level as the driver.
- The measurements between the torso is 1320 mm
- The axle torso has single tyres (225/75R 16c) with 6J rims, air suspension with 2 bellows and uses the original brake elements.
- The complete chassis has a letter of no objection from Citroën, Fiat and Peugeot.
- The brakes are approved according to EC directive 71/320/EC.Options.
- Delivery as a kit, combined with a low floor axle torso or mounted to the vehicle.